



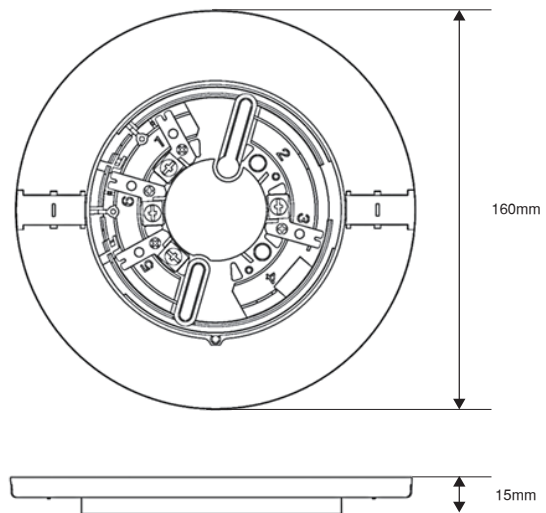
■ Features

- UL Listed Base
- Compatible to Nittan's UL Listed detectors
- Available to cover the mounting holes
- Contains a locking screw for tamper protection
- 4 terminals to be used depending on detectors
- Mounts to 3-1/2" octagonal, 4" octagonal, and 4" square electrical boxes

■ Description

EVA-UB4-6 Standard Base is a 6 inch mounting base for Nittan's UL listed detectors that can be fitted with 4 inch square electrical box. EVA-UB4-6 can be used as a board to cover the holes of electrical boxes. The base contains no electrical circuit so that the base is used as a terminal block. The base is supplied with 4 terminals that are used depending on the detector heads. The 12 – 22 AWG field wire can be connected to the terminals. EVA-UB4-6 contains a locking screw to avoid unauthorized removal of detectors.

Dimensions



Compatible Detector Models

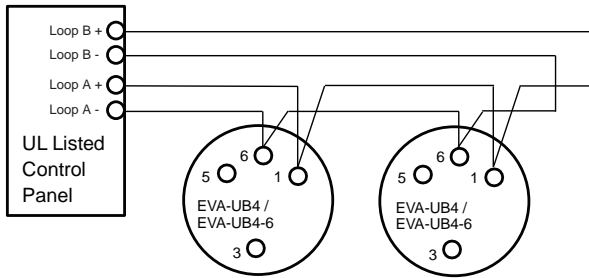
| Model | Description |
|----------|---|
| EVA-PY | Addressable Photoelectric Smoke Detector |
| EVA-PYH | Addressable Multisensory Detector |
| EVA-H2 | Addressable Heat Detector |
| EVA-H2-H | Addressable High-temp. Heat Detector |
| EVA-DPH | Addressable Dual Optical / Heat Detector |
| EVCA-P | Conventional Photoelectric Smoke Detector |
| STA-P-OM | Conventional Photoelectric Smoke Detector |



■ Installation Diagrams

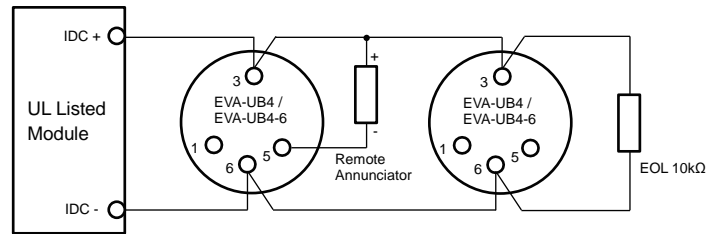
Analog addressable wiring

When connected to analog detectors such as EVA-PY, EVA-PYH, EVA-H2, EVA-DPH, etc.



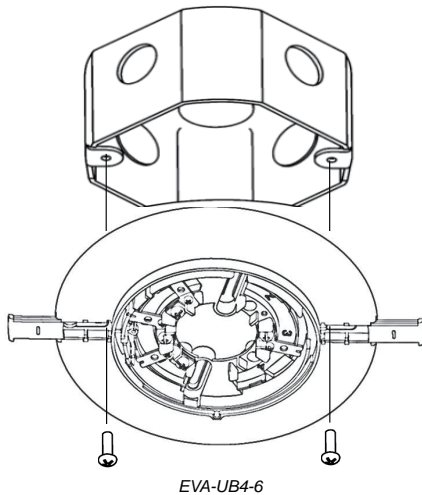
Conventional wiring

When connected to conventional detectors such as EVCA-P, STA-P-OM, etc.



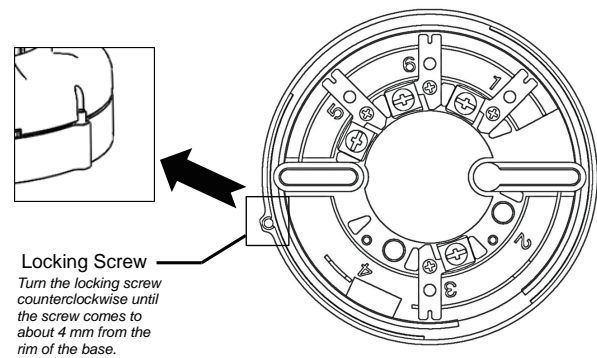
Mounting

EVA-UB4-6 is designed to be mounted to 3-1/2" and 4" octagonal, and 4" square electrical boxes.



Locking Screw

EVA-UB4-6 contains a locking screw to avoid unauthorized removal of detectors.



■ Specifications

| Specifications | EVA-UB4-6 |
|-----------------------------|----------------------------------|
| Operating Temperature Range | -10°C to +83°C (14°F to 181.4°F) |
| Storage Temperature Range | -20°C to +60°C (-4°F to 140°F) |
| Relative Humidity | ≤ RH95% non-condensing |
| Environment | Indoor, dry use only |
| Terminal | AWG12-22 |
| Dimensions | φ 160 mm x H 15 mm |
| Weight | 95 g |
| Standard | UL268 and UL521 |

Distributed By

All specifications are subject to change without any notice.
For more information, contact with NITTAN.

NITTAN

54-5, 1-chome, Sasazuka,
Shibuya-ku, Tokyo151-8535, Japan
TEL:81-3-5333-7021 FAX:81-3-5333-8615