

品 名: アドレス設定器 MTM-E 取扱説明書

図 番: GK070373

作成日: 2008年 5月 27日

※ 印刷仕様は取説印刷仕様「GK048820」を参照。

△ ₅					
△ ₄					
△ ₃					
△ ₂					
△	2011. 07. 04	社名変更	上野	大山	石橋
NO	日付	変 更 内 容	承認	検査	担当

部署名	応用技術部	
部長	課長	担当
野村 (代)	上野	宅崎



Manual

Address Programmer MTM-E

Before using, please read this manual carefully and use correctly.

If the MTM is modified or dismantled, this will invalidate any warranty.

Before use, please read this manual so that you use the MTM correctly.
Keep this manual where it is easily accessible.

CAUTION!

If the MTM is used incorrectly, there is a possibility of receiving injury and damage to property.

- Use only the power supply specified. Use of any other power supply could cause equipment damage, electric shock or fire.
- The MTM must be switched [OFF] when connecting or disconnecting the battery.
- Do not dismantle or modify the MTM and Keep the MTM away from contact with water. It could cause equipment damage, electric shock and fire.
- Do not immerse the MTM in water.



NITTAN GROUP COMPANIES

LIXIL NITTAN COMPANY, LIMITED
11-6, 1-chome, Hatagaya, Shibuya-ku, Tokyo
151-8535, Japan
Telephone +81 (0) 3 3468 1127
Fax +81 (0) 3 3468 1129

NITTAN (UK) LIMITED
Hiple Street, Old Woking, Surrey, GU22 9LQ,
United Kingdom
Telephone +44 (0) 1483 769 555
Fax +44 (0) 1483 756 686

NOTICE!

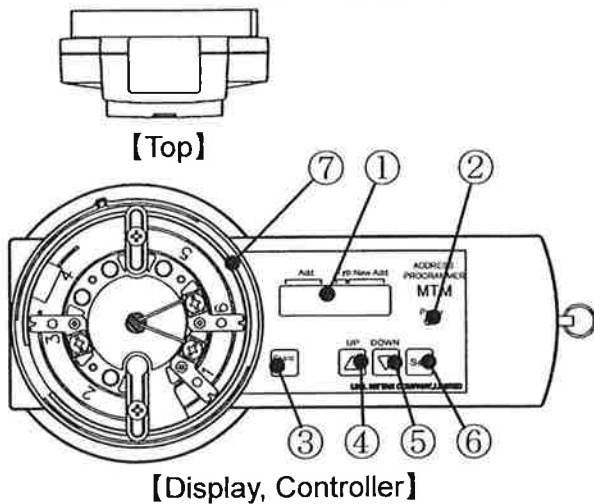
If the MTM is used incorrectly, the equipment could function incorrectly and property could be damaged.

- Avoid subjecting the MTM to excessive vibration or shock.
- If the MTM is to be stored for any length of time, the battery should be removed from the compartment.
This avoids the battery leaking.
- Do not leave the MTM in direct sunlight, near hot surfaces, or in areas where magnetic or electromagnetic waves are generated.
- Do not mix batteries of different types or capacity.
- Avoid using in conditions of extreme humidity or temperature.

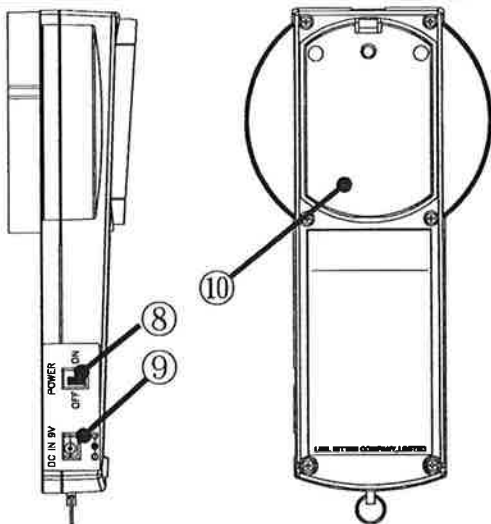
1. Description

The MTM address programmer is used to set the address of analogue addressable devices by using the AS communication protocol.

2. Name of each part and the function



①	LCD	The address display
②	POWER LED	While the POWER SW is ON, it will be fully lit While in "STAND-BY MODE", it will be dimly lit
③	Search KEY	To start transmission or to exit "STAND-BY MODE"
④	UP KEY	Increase address number
⑤	DOWN KEY	Decrease address number
⑥	Set KEY	To write the address into the device
⑦	Base	For connecting the device



【Side Switch】

【Bottom Battery box】

⑧	POWER SW	To turn the MTM ON or OFF
⑨	Plug adaptor	For the AC power unit (not supplied)
⑩	Battery Box	Battery compartment for PP3 non-rechargeable alkaline battery (not supplied)

3 STAND-BY MODE

In the cases below, MTM will switch to STAND-BY MODE for saving battery power.

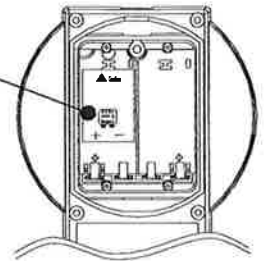
- 1) If there is no key operation for more than one minute after finishing changing address of device.
- 2) Press [Set] key continuously for more than 2 sec.

During the STAND-BY MODE, LCD is blank. POWER LED lights dimly, rather than normal. To return MTM from STAND-BY MODE press the [Search] key. After that LCD shows [Wait ...] and then search for the connected device.

4 Instruction

1. Insert the PP3 battery into left hand side (marked on box) when you use MTM with one PP3 battery.

When MTM is driven by one PP3 battery, the battery must be set this side.



Inside of battery compartment

- Before inserting the battery, confirm the MTM is switched off and check polarity of the battery, or damage could result.
 - When you want use MTM for extended periods, the use of two batteries is recommended. At that time, ensure correct polarity before inserting batteries.
2. Turn the power switch ON.
 - POWER LED lights, the LCD will show version information which will fade 5sec later.
 3. Plug in the device on to the base.
 - If you connect the MTM by using accessory cables to a device which has wires for power line instead of terminals, please ensure correct polarity.
 - Yellow cable: Base "Terminal 1" to device "+SIG"
 - Black cable: Base "Terminal 6" to device "-SIG"
 4. Press the [Search] key
 - LCD shows [Wait...], then starts transmitting to the detector.
 - If the LCD shows [BATT Low], it means Low battery, please change battery as soon as possible.
 - Do not remove the detector when LCD shows [Wait], or damage could result.

5. Then LCD shows [Current address], [Type], [New address]
 - The legend for [Type]; Optical: O, Heat: H, Peripheral: P.
 - The buzzer sounds and display shows [--- ----] when you connect an unsupported or defective device.
6. The [UP] and [DOWN] keys are used to set the address.
 - Do not set the device address as [000] or [255], since these are invalid addresses.

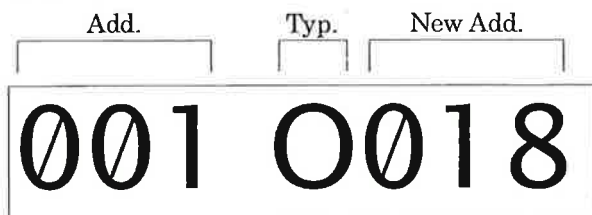


Fig. Display for address change

- Changing the address indication on the LCD by using [UP] key or [DOWN] key.
 - **NOTE: THIS TOOL EXPECTS ADDRESS ENTRY IN DECIMAL!!!**
7. Press the [Set] key
 - To finish the address change, you need to press the [Set] key after you set the address on the LCD to the required address. After pressing the [Set] key LCD shows [Wait] and then LCD shows [OK] as below.
 - If MTM fails to change the address, LCD shows [NG] instead of [OK].
 - Do not remove the detector when LCD shows [Wait], or damage could result.

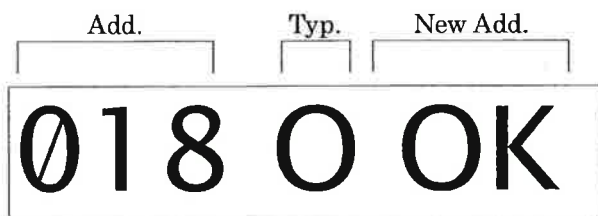


Fig. Display for the result of address change

- Remove the detector after confirming the result.
8. To continue changing the address for another detector, change the detector and repeat from paragraph 3. To finish changing addresses, turn the POWER SW off.

5 Specification

Product name	MTM-E
Rated Voltage	DC 9V
Power Supply	1 × PP3 Type Alkaline Battery (Not supplied). 2 × PP3 also available.
Operating Temp	-10[degC] to +40[degC]
Humidity	Up to 85%RH (non condensing)
Weight	Approximately 360g (Without battery)
Test device	1 AS protocol device at one time
Accessory	Strap 1pc, Cables (Yellow, Black) 1 each

6 Disposal

Please follow local codes or regulations, if you need to dispose the MTM or the batteries.

