

EVOLUTION – Interface with Conventional Wireless

There are several options on the Market for Conventional Interface of Wireless detection & alarm devices. This Guidance document explains the connections when using either the Hyfire (Argus) HFW-CEM-02 Wireless Conventional Interface Module, or the EMS Firecell FC-555-001-V3 Wireless Radio communicator, with Nittan Evolution Addressable Fire Alarm System. The images below show the Hyfire & EMS Wireless Conventional detection and alarm devices respectively.



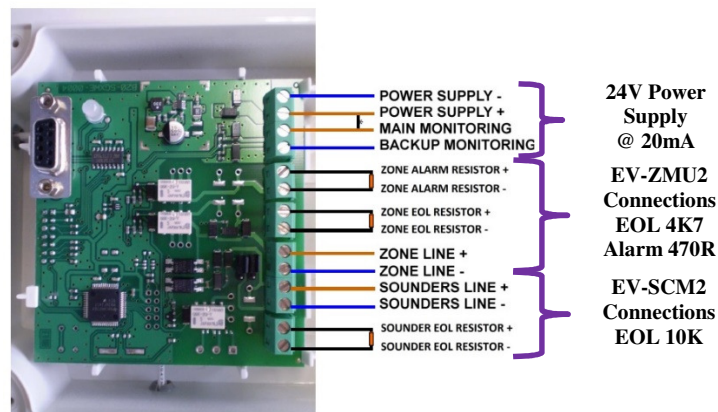
Hyfire (Argus) Wireless



EMS Firecell Wireless

The Hyfire Conventional Wireless Module incorporates Interface terminations, for connecting to an Addressable Loop, via an EV-ZMU2 Zone Monitor for the detection Inputs and an EV-SCM2 Sounder Control Module for the alarm outputs.

The Interface Module includes clear and simple connections for fitment of End of Line (EOL) and Alarm resistors to allow fault monitoring, as shown in the image below.



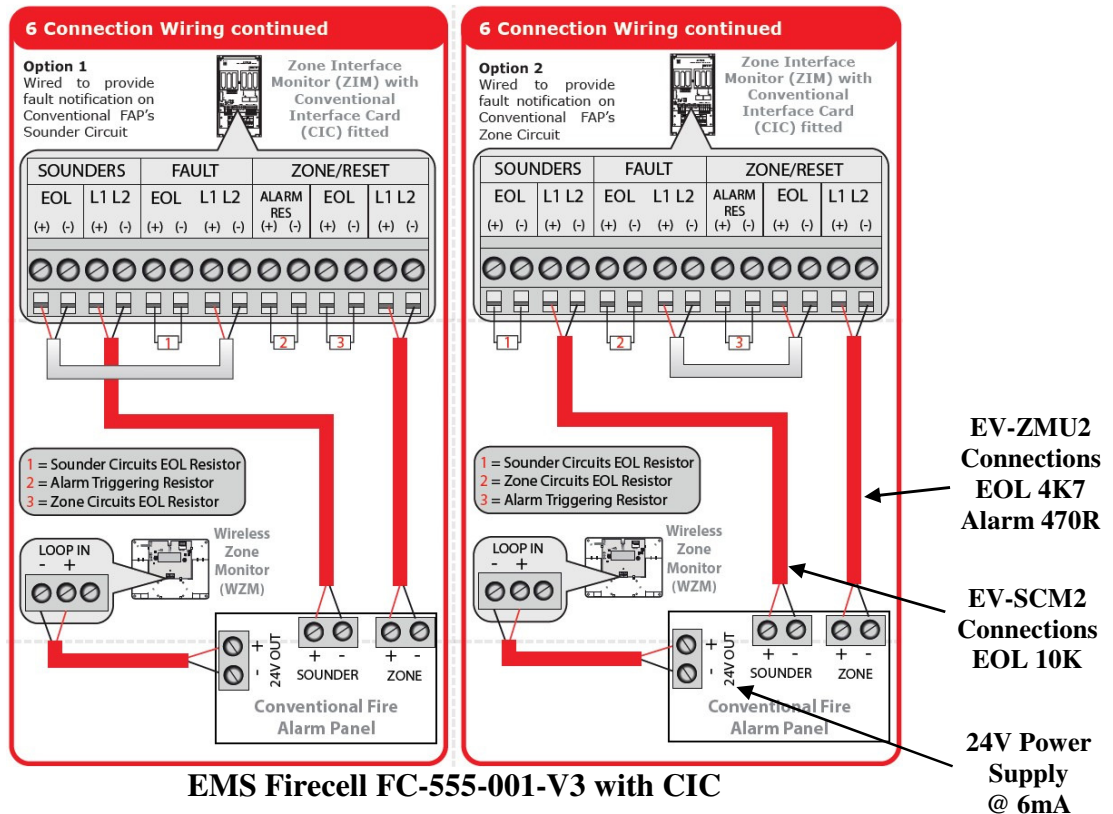
Hyfire (Argus) HFW-CEM-02

The following Wireless devices are available for the Hyfire system:

1. HFW-CP-01 – Wireless Manual Call Point.
2. HFW-MA-05 – Wireless Multisensor.
3. HFW-PA-05 – Wireless Smoke Detector.
4. HFW-TA-05 – Wireless Heat Detector.
5. HFW-BS-05 – Wireless Base Sounder.
6. HFW-BSB-05 – Wireless Base Sounder / Beacon.

The EMS Firecell Wireless Radio communicator requires the addition of a Conventional Interface card CIC, for connecting to an Addressable Loop, via an EV-ZMU2 Zone Monitor for the detection Inputs and an EV-SCM2 Sounder Control Module for the alarm outputs.

The Interface Card includes clear and simple connections, including fitment of End of Line (EOL) and Alarm resistors, to allow fault monitoring, for either the Conventional Zone or the Sounder Circuit, as shown in the image below.



The following Wireless devices are available for the EMS Firecell system:

- | | |
|----------------|--|
| 1. FC-200-002 | – Wireless Manual Call Point. |
| 2. FCX-170-001 | – Wireless Detector Base. |
| 3. FCX-177-001 | – Wireless Smoke Detector. |
| 4. FCX-175-001 | – Wireless Heat Detector A1R. |
| 5. FC-171-001 | – Wireless Detector Base Sounder. |
| 6. FCX-191-200 | – Wireless Detector Base Sounder / Beacon VID. |
| 7. FC-171-002 | – Wireless Base for Sounder. |
| 8. FC-315-WA2 | – Wireless Wall Sounder / Beacon. |
| 9. FC-172-002 | – Wireless Sounder. |

Detailed Technical information on the Nittan EV-ZMU2 & EV-SCM2, including Data Sheets and Installation Instructions, can be found on the Nittan Website <http://nittan.co.uk/products/products/ev/>

Detailed Technical information on the Hyfire Wireless equipment, including Data Sheets and Installation Instructions, can be found on the Sterling Safety Website <https://www.sterlingsafety.co.uk/>

Detailed Technical information on the EMS Firecell Wireless equipment, including Data Sheets and Installation Instructions, can be found on the EMS Website <http://emsgroup.co.uk/>

If you need any further guidance please contact Nittan Technical Support:

Email: tech@nittan.co.uk
Phone: 01483 541174
Mobile: 07511 047039

Technical Support Team

