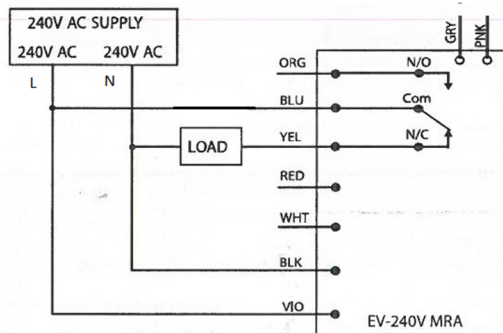


EV-240V-MRA Mains Application

The following Connection instruction allows the EV-240V-MRA to be driven from “Volt Free” relay contacts to control Mains powered equipment such as door Magnets, Smoke dampers or solenoid valves and contactors. The relay can be used to switch equipment ‘on’ during an alarm or to disconnect a maintained supply such as to Door Retainer Magnets. The relay is of failsafe design so the contacts will be active when mains is applied to the Violet and black wires.

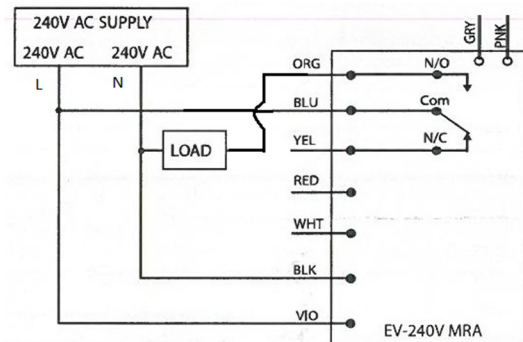
Note:- For Mains switching applications the contacts are Rated at 240V ac 5 Amps



APPLICATION, SWITCHING POWER DURING ALARM

Note:- Contacts are shown in 'failsafe' condition when no mains supply is present

Figure 1



APPLICATION, MAINTAINED LOAD BREAKING IN ALARM

Note:- Contacts are shown in 'failsafe' condition when no mains supply is present

Figure 2

Note: All Unused EV-240V-MRA relay wires must be individually Isolated and Insulated to prevent the risk of electrical shorting and electric shock, Disconnect any mains supply prior to handling the relay and its connections.

1. Connect Mains supply to Load and Black & Violet wires as shown in figure 1 or 2. Connections to MRA relay N/O or N/C contacts will depend on Application.
2. Connect Red & White wires to Volt Free contacts of Output Module, such as EV-OP, IOASBOX or other signal contacts. Connections to N/O or N/C contacts will depend on Application.
3. Grey & Pink wires are not used and should be isolated for safety.

Caution: Although there is only 24 Vac across the Red & White wires, there is a higher potential between the White, Violet & Black. Take care when making all connections.

If you need any further guidance please contact Nittan Technical Support:

Email: mdurbridge@nittan.co.uk
 Phone: 01483 769555
 Mobile: 07511 047039

Mark Durbridge
 Technical and Sales Support Engineer

