

# Manual **NITTAN**

## EVA-AD2 Address Programmer

---

Before use, please read this manual so that you use the EVA-AD2 correctly.

Keep this manual where it is easily accessible.

If the EVA-AD2 is modified or dismantled, this will invalidate any warranty.

The EVA-AD2 should be used only by experienced installers or those authorized by the manufacturer.

<b>CAUTION!</b>	<b>If the EVA-AD2 is used incorrectly, there is a possibility of injury or damage to property.</b>
<ul style="list-style-type: none"><li>● Use only the power supply specified. Use of any other power supply could cause equipment damage, electric shock or fire.</li><li>● The EVA-AD2 must be switched [OFF] when connecting or disconnecting the battery.</li><li>● Do not dismantle or modify the EVA-AD2.</li><li>● Keep the EVA-AD2 away from contact with water. It could cause equipment damage, electric shock and fire.</li><li>● Do not immerse the EVA-AD2 in water.</li></ul>	

**NITTAN COMPANY, LIMITED**  
OVERSEAS BUSINESS DIVISION  
1-54-5 SASAZUKA, SHIBUYA-KU, TOKYO 151-8535,  
JAPAN  
Telephone +81 (0) 3 5333 7021  
Fax +81 (0) 3 5333 8615  
<http://www.nittan.com>

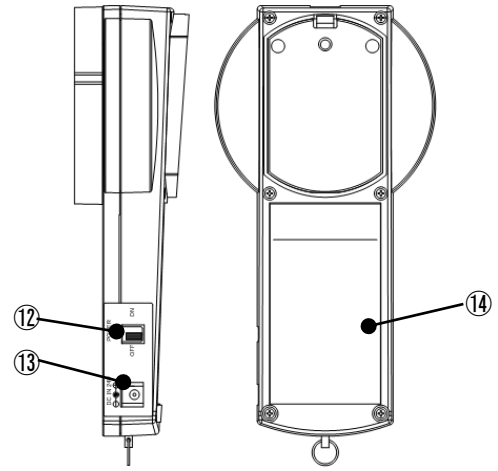
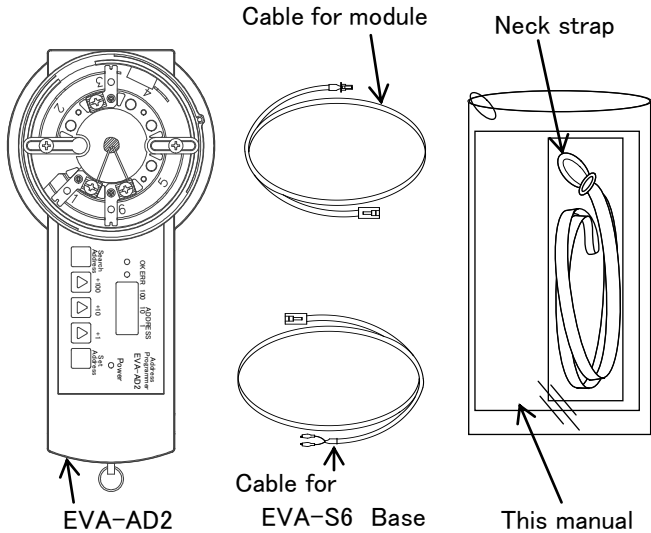
<b>NOTICE!</b>	<b>If the EVA-AD2 is used improperly, the equipment could function incorrectly and property could be damaged.</b>
<ul style="list-style-type: none"><li>● Avoid subjecting the EVA-AD2 to excessive vibration or shock.</li><li>● If the EVA-AD2 is to be stored for any length of time, the batteries should be removed from the compartment. This avoids the batteries leaking.</li><li>● Do not leave the EVA-AD2 in direct sunlight, near hot surfaces, or in areas where magnetic or electromagnetic waves are generated.</li><li>● Do not mix batteries of different types or capacity.</li><li>● Avoid using in conditions of extreme humidity or temperature.</li></ul>	

## 1. Description

The EVA-AD2 address programmer is used to set the address of analogue addressable devices using the Evolution communications protocol.

## 2. Contents

Please make sure that the main unit and all the accessories below are enclosed.

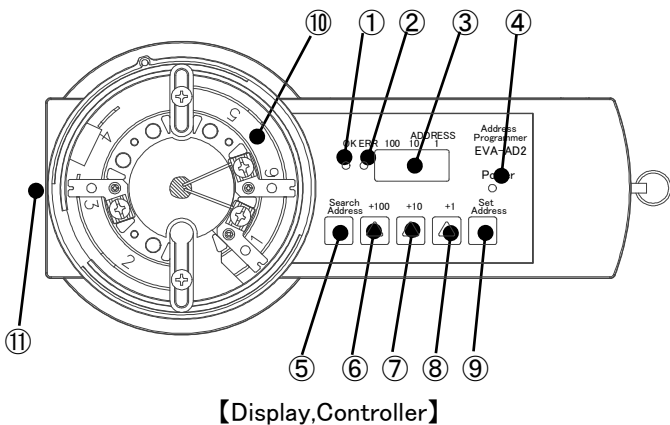


【Side Switch】

【Bottom Battery Box】

⑫	POWER SW	To turn the EVA-AD2 ON or OFF.
⑬	Plug Adaptor	For the AC power unit (not supplied)
⑭	Battery Box	Battery compartment for PP3 non-rechargeable alkaline batteries

## 3. Part Name and Function



【Display,Controller】

①	OK LED (Green)	Lit when programming of new address is completed.
②	ERROR LED (Orange)	Lit when programming of new address could not be completed.
③	7segment LED	This displays the address, customer code or type code.
④	POWER LED (Green)	When the power is switched ON, this LED will be lit. If the programmer is reporting "Low battery", it will blink.
⑤	SEARCH SW	To start transmission and find the address of the detector / module.
⑥	+100 SW	Increase address by one hundred
⑦	+10 SW	Increase address by ten.
⑧	+1 SW	Increase address by one.
⑨	SET SW	To set device address
⑩	Base	For connecting the detector
⑪	RJ45 Socket	For connecting the module

## 4. Stand by Mode

EVA-AD2 will switch to STAND-BY MODE for saving battery power if there is no key operation for more than one minute after finishing changing address of device. During the STAND-BY MODE, 7segment is blank. Power LED is lit.

To return EVA-AD2 from STAND-BY MODE press any key.

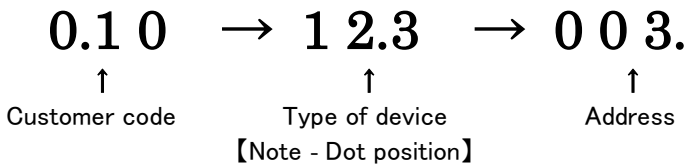
## 5. Instruction

### Preparation

1. Select a lead/cable with reference to **6.Connection Method**, and connect it to the EVA-AD2.
2. EVA-AD2 requires two 9v PP3 batteries.
  - a) Before inserting the batteries, confirm the EVA-AD2 is switched off and check polarity of battery, or damage could result.

### Indicate current address

1. Turn the power switch ON.
  - a) For one second, all LED's are lit and the buzzer sounds.
2. Press the [Search] Key
  - a) Buzzer sounds, then the EVA-AD2 starts transmitting to the device.
  - b) Do not remove the device when transmitting, or damage could result.
3. The 7 segment LED reads [Customer code], [Type of device], [Address] in turn.
  - a) The buzzer sounds, ERROR LED lights and the 7 segment LED display's an ERROR CODE when an unsupported or defective device is connected.



The 7 segment LED is distinguishes the Customer Code, Type and Address by the dot position in the LED.  
 The information displayed by the 7 segment LED cycles every second and stops whilst displaying the [address] at the end of the second cycle.  
 Type of device is assigned to the detectors, the modules and the base as below.

EVA-MiniIP:	54	EVA-PYH:	153
EVA-DIP:	85	EVA-PY:	152
EVA-DOP:	86	EVA-H2-H:	134
EVA-DOP-240V:	87	EVA-H2:	133
EVA-SCM:	66	EVA-DPH:	154
EVA-ZMU:	18	EVA-S6 Base:	120

Pressing any key at any time during the information collection cycle, forces the EVA-AD2 to display the address, and await new address selection.

### Set new address

1. +100, +10, +1 keys are used to select the new address.
2. Press the [Set] key
  - a) The buzzer sounds, and all LED's are turned off. The EVA-AD2 then starts transmitting to the detector.
  - b) Do not remove the detector.
3. The 7 segment LED shows the new address and “complete” LED lights.  
 If an unsupported or defective device is connected the buzzer sounds , ERROR LED is lit and the 7 segment LED reads ERROR CODE.
4. To continue changing the address for another detector, change the detector and then repeat from paragraph 3.  
 To finish changing addresses, turn the POWER SW off.

## 6. Connection Method

For detector

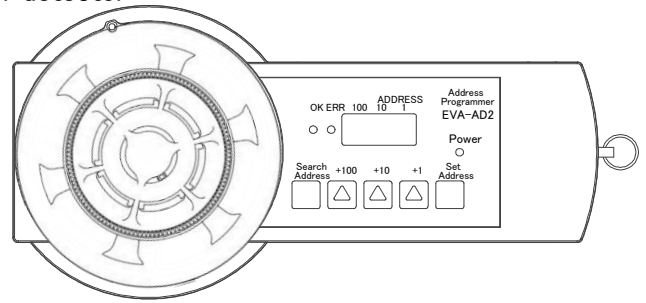


Figure 1: Mounting a detector on EVA-AD2

For module (Type:EVA-DIP-SCI)

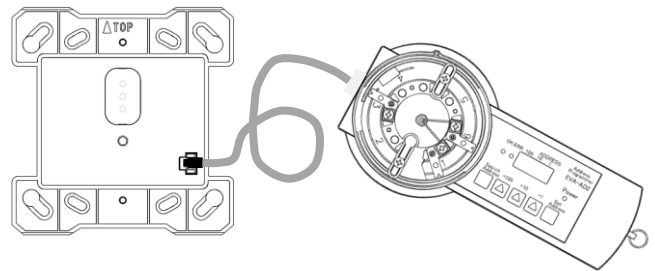


Figure 2: Connection with EVA-DIP-SCI

For module (Type:EVA-MiniIP)

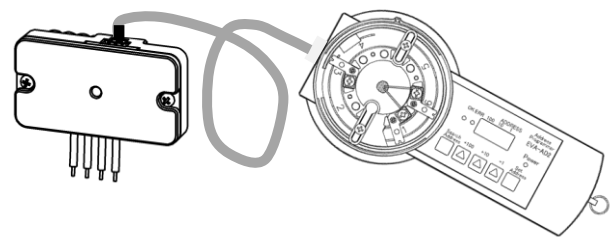
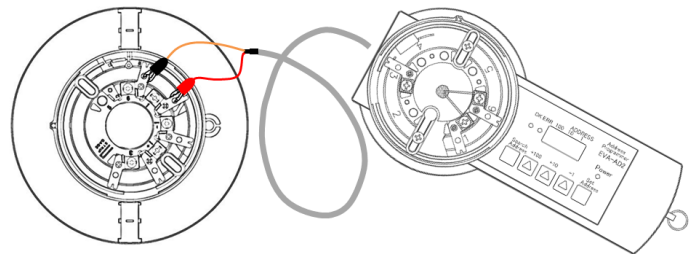


Figure 3: Connection with EVA-DIP-SCI

For EVA-S6 Base



Connect the red alligator clip to the terminal 1 of EVA-S6 Base and the black alligator clip to the terminal 6.

Figure 4: Connection with EVA-AD2 and EVA-S6 Base

## 7. Specification

Product name	EVA-AD2
Power Supply	DC18V [2 × PP3 Type Alkaline Batteries] (Not supplied). DC24V[using AC power unit]
Operating Temp	0[°C] to +40[°C]
Humidity	Up to 85%RH(non condensing)
Weight	Approximately 360g (Without battery)
Test device	1 EVA protocol device at a time

FOR WARRANTY SERVICE, RETURN TO:  
OVERSEAS BUSINESS DIVISION, NITTAN COMPANY,  
LIMITED  
1-54-5 SASADUKA, SHIBUYA-KU, TOKYO, 151-8535, JAPAN  
<http://www.nittan.com>

## 8. Disposal

Please follow local codes or regulations, if you need dispose the EVA-AD2 or the batteries.

## 9. Error Code

E01	Receive frame Error
E02	Receive date bit Error
E03	No communication
E04	Checksum Error
E10	Write new address Error
E11	EEPROM Error
E20	Step-up transformer or overcurrent by short circuit of signal line. While ERROR CODE "E20" is displayed ,the EVA-AD2 will switch to "STAND-BY MODE" to prevent damage.
E21	Low battery trouble While ERROR CODE "E21" is displayed , the EVA-AD2 will switch to prevent damage. Please exchange new batteries.
E22	Low battery warning Presently changes to "Low battery trouble". Please fit new batteries.

## 10. Warranties

- Nittan warrants to the customers that:
  - all products supplied hereunder will be of merchantable quality and will comply with any specification agreed between Nittan and customer.
  - it is not aware of any rights of any third party in the market which would or might render the sale of the products, or the use of any of the trade marks on or in products, or the use of any of the trade marks on or in relation to the products, unlawful.
- In the event of any breach of the Nittan's warranty in Clause 1.(a) whether by reason of defective materials, production faults or otherwise, Nittan's liability shall be limited to:
  - replacement of the products in question; or
  - at the Nittan's option, repayment of the price where this had been paid. And the warranty period is three (3) years from the shipment from Nittan's factory.
- Notwithstanding anything to the contrary in this warranty terms, Nittan shall not be liable to the customer by reason of any representation or implied warranty, condition or other term or any duty at common law, or under the express terms of this warranty terms, for any consequential loss or damage whether for loss of profit or otherwise and whether occasioned by the negligence of Nittan or its employees or agents or otherwise, arising out of or in connection with any act or omission of Nittan relating to Nittan or supply of the products, their use by any customer.
- Customer shall indemnify Nittan against all loss, damages, liabilities, costs and expenses which Nittan may suffer or incur as a result of or in connection with any breach by customer of this warranties terms or any laws or regulations of any jurisdiction or any rules of any governing authorities.