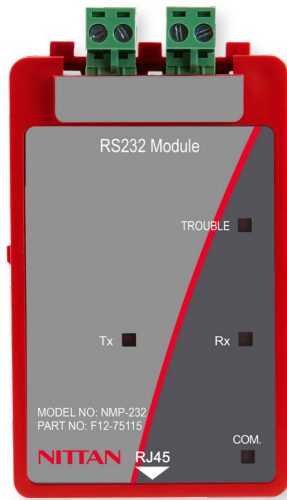


RS232 Module

NMP-232



The plug-in NMP-232 module will give an Evolution UL NMP fire alarm control panel the ability to interface to RS232 serial equipment and devices.

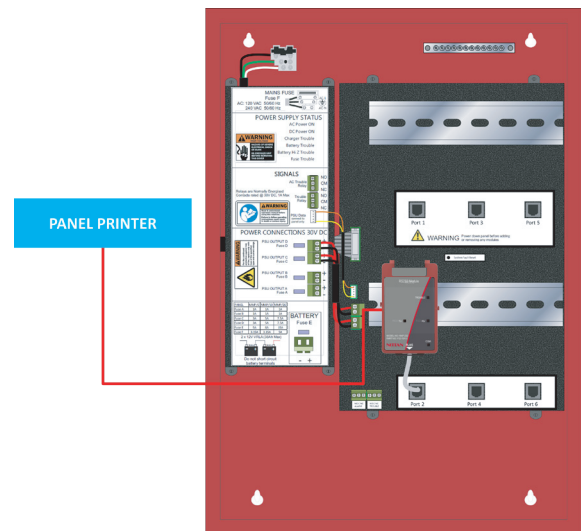
This is most commonly used to connect the Evolution UL NMP to an RS232 panel printer, or a desktop printer for real time event log printing.

The module also has a 5V aux output that is used to provide power to the panel's internal printer.

Key Features

- Designed to meet UL864 10th Edition requirements.
- Use to interface to RS232 devices.
- 5V aux output (for use with panel printer only).
- Extensive front unit status indications (See table below).
- Quick and easy to install by plugging the RJ45 cable into the module and control panel (cable supplied with unit).

Interior Panel View



Enclosure

Dimensions

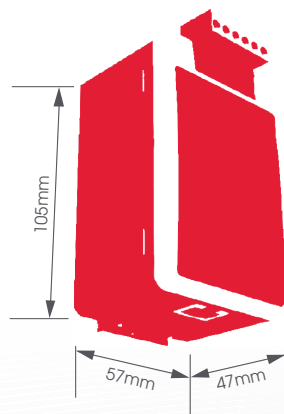
H105mm x W57mm x D47mm

Weight

0.15kg

Terminal Wiring Size

28-12 AWG



NOT TO BE USED FOR INSTALLATION PURPOSES

Nittans reserves the right to make changes at any time without notice in prices, colours, materials, components, equipment, specifications and models and also to discontinue models.

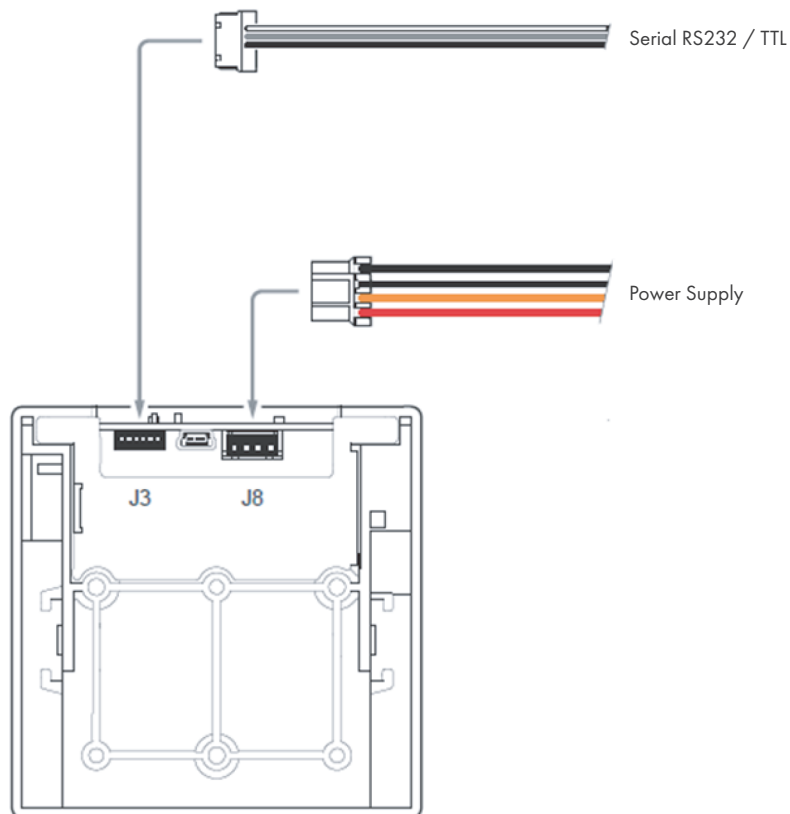
Specification

Part No. / Model No. / Description	F12-75115 / NMP-232 / RS232 Module
Standard	UL864 10 th Edition
Approval	UL Laboratories
Communication Protocol	RS232
Connection	Serial Port
Baud Rate	9600
Data Bits	8
Parity	None
Stop Bits	1
Operating Temperature	0°C (32°F) to 49°C (120°F)
Max Humidity	95% Non-Condensing
Compatible Devices	CUSTOM PLUS2 Panel Printer

Front Unit Indications

LED Indication	Description
Trouble (Yellow)	Flashing yellow when a fault on the RS232 circuit is detected.
RS232 TX (Green)	Flashing Green when the RS232 is transmitting information.
RS232 RX (Green)	Flashing Green when the RS232 is receiving information.
Com. (Green)	Pulses to show communication between the module and the motherboard.

Typical Wiring Diagram



For further information on wiring, please refer to the NMP-232 Technical Manual.

NOT TO BE USED FOR INSTALLATION PURPOSES