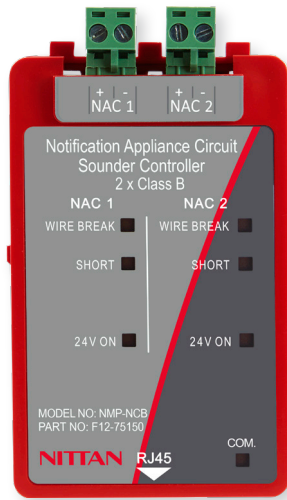


## Notification Appliance Circuit Module - Class B

NMP-NCB



The plug-in NMP-NCB module provides power for and handles communications to the non-addressable notification appliances. It has two notification appliance circuits that can be wired in the class B configuration.

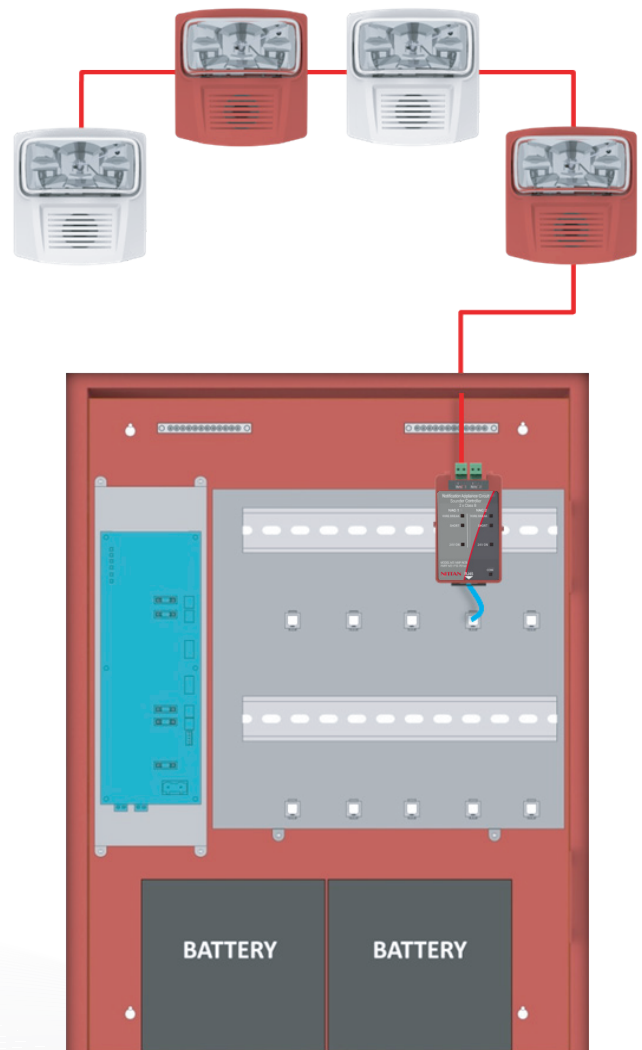
Up to a maximum of 500mA can be connected to each class B circuit. Each circuit is supervised for open, short and earth trouble conditions and will report this status back to a Evolution UL NMP fire alarm control panel.

An additional feature that is included in the NMP-NCB module is that it has the ability to program a circuit as a 24v auxiliary special application class B output, which can be used to provide power to external equipment.

### Key Features

- Designed to meet UL864 10<sup>th</sup> Edition requirements.
- Built-in synchronisation circuitry (only compatible with Evolution UL devices.)
- Can be programmed for either unsynchronised bells or synchronised horns / chimes and beacons.
- 2 x Class B NAC output circuit (500mA maximum load per circuit).
- Extensive front unit status indications (see table on page 2).
- Each circuit can be programmed as a 24v auxiliary (500mA maximum load per circuit).
- Quick and easy to install by plugging the RJ45 cable into the module and control panel (cable supplied with unit).
- Power Limited.

### Interior Panel View



### Enclosure

#### Dimensions

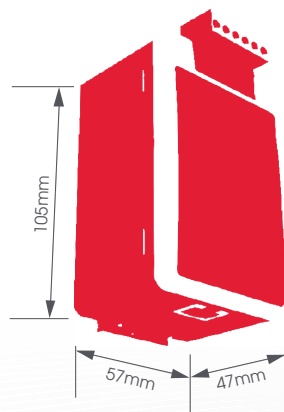
H105mm x W57mm x D47mm

#### Weight

0.15kg

#### Terminal Wiring Size

28-12 AWG



NOT TO BE USED FOR INSTALLATION PURPOSES

Nittans reserves the right to make changes at any time without notice in prices, colours, materials, components, equipment, specifications and models and also to discontinue models.

## Specification

Part No. / Model No. / Description	F12-75150 / NMP-NCB / NAC Module Class B
Standard	UL864 10 <sup>th</sup> Edition
Approval	UL Laboratories
NAC Voltage	29VDC Nominal
Maximum Line Impedance	4Ω
Maximum Current	500mA per circuit
Wiring Class	2 x Class B (Power Limited & Supervised)
Special Applications	Auxiliary 24 Vdc Output (Power Limited & Unsupervised)
End of Line Resistor	4K7Ω
Operating Temperature	0°C (32°F) to 49°C (120°F)
Max Humidity	95% Non-Condensing

## Compatible Devices / Accessories

Part No.	Model No.	Description
F06N64100	EVCA-W-C-W	Conventional Wall Mount Chime NAC - White
F06N64101	EVCA-W-C-R	Conventional Wall Mount Chime NAC - Red
F06N64102	EVCA-W-CS-W	Conventional Wall Mount Chime & Multiple-Candela NAC - White
F06N64103	EVCA-W-CS-R	Conventional Wall Mount Chime & Multiple-Candela NAC - Red
F06N64104	EVCA-C-CS-W	Conventional Ceiling Mount Chime & Multiple-Candela NAC - White
F06N64105	EVCA-C-CS-R	Conventional Ceiling Mount Chime & Multiple-Candela NAC - Red
F06N64106	EVCA-MH-W	Conventional Mini Horn - White
F06N64107	EVCA-MH-R	Conventional Mini Horn - Red
F06N64108	EVCA-W-M-W	Conventional Wall Mount Multi-Tone Chime NAC - White
F06N64109	EVCA-W-M-R	Conventional Wall Mount Multi-Tone Chime NAC - Red
F06N64110	EVCA-W-MS-W	Conventional Wall Mount Multi-Tone Multi-Candela - White
F06N64111	EVCA-W-MS-R	Conventional Wall Mount Multi-Tone Multi-Candela - Red
F06N64112	EVCA-C-MS-W	Conventional Ceiling Mount Multi-Tone Multi-Candela NAC - White
F06N64113	EVCA-C-MS-R	Conventional Ceiling Mount Multi-Tone Multi-Candela NAC - Red
F06N64114	EVCA-W-S-W	Conventional Wall Mount Multi-Candela NAC - White
F06N64115	EVCA-W-S-R	Conventional Wall Mount Multi-Candela NAC - Red
F06N64116	EVCA-C-S-W	Conventional Ceiling Mount Multi-Candela NAC - White
F06N64117	EVCA-C-S-R	Conventional Ceiling Mount Multi-Candela NAC - Red

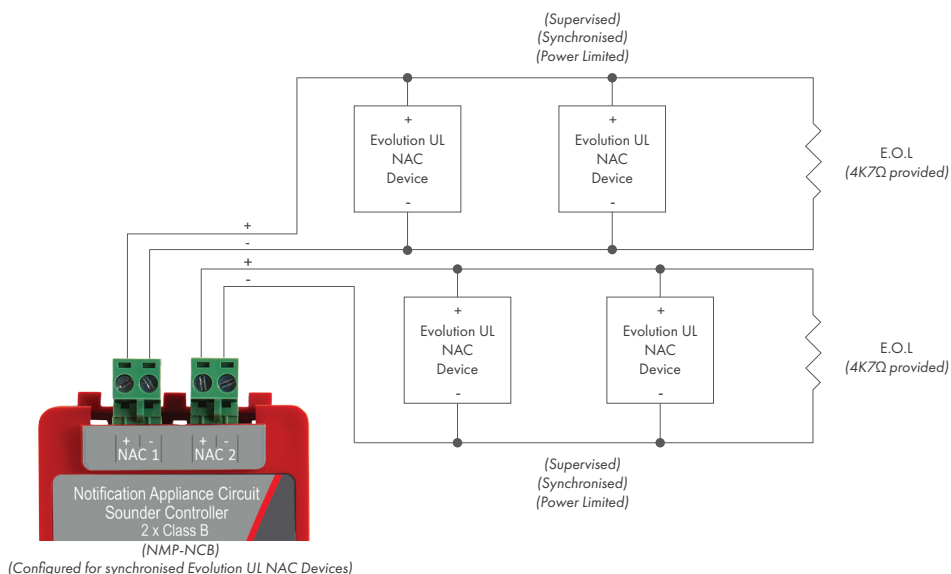
## Front Unit Indications

LED Indication	Description
Wire Break (Yellow)	Flashing yellow when a wire break in the circuit is detected.
Short (Yellow)	Flashing yellow when a short in the circuit is detected.
24v On (Green)	Solid green when the module is programmed to provide a 24v auxiliary output.
Com. (Green)	Pulses green to show communication between the module and the motherboard.

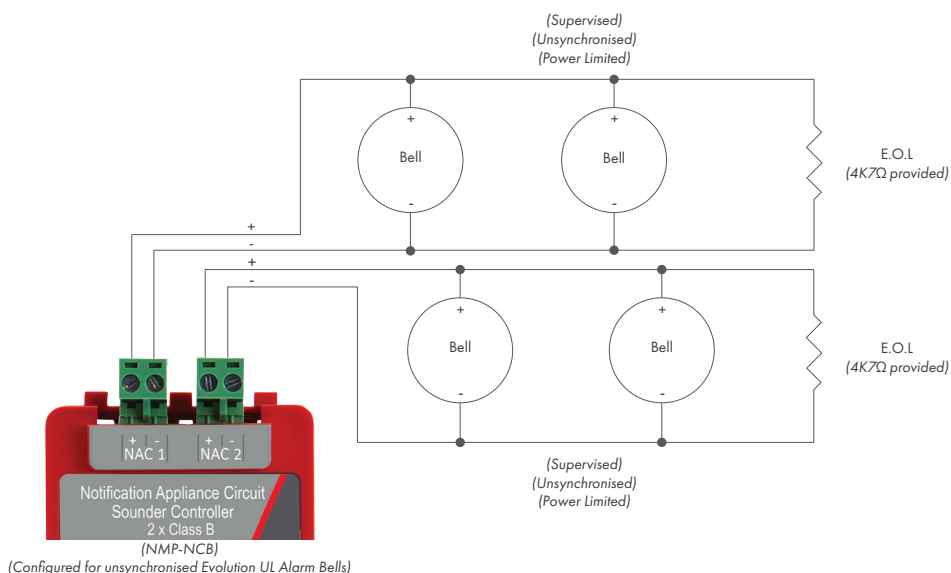
NOT TO BE USED FOR INSTALLATION PURPOSES

## Typical Wiring Diagram

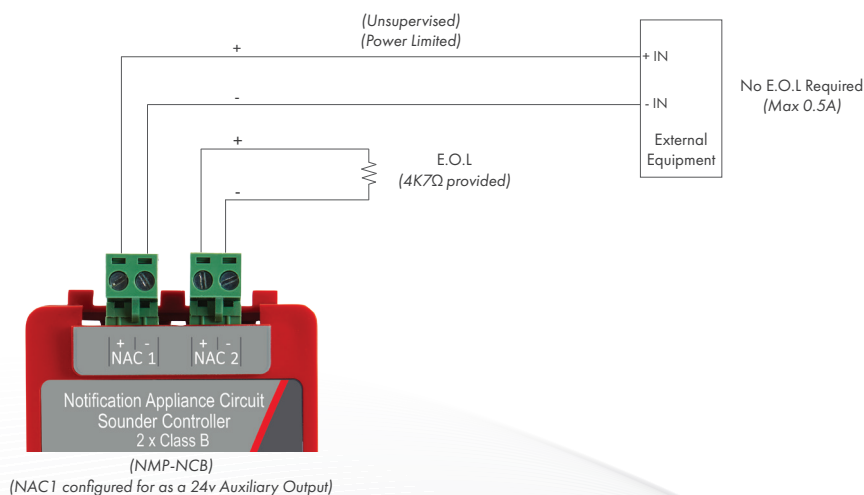
### Class B: Synchronised Evolution UL NAC Devices



### Class B: Unsynchronised Evolution UL Alarm Bell Devices



### Auxiliary 24VDC



For further information on wiring, please refer to the NMP-NCB Technical Manual.

NOT TO BE USED FOR INSTALLATION PURPOSES