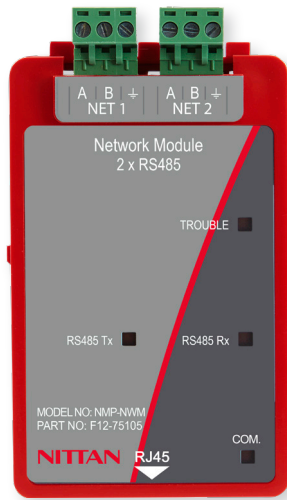


Network Module

NMP-NWM



The NMP-NWM Module allows the Evolution UL NMP system network the facility to monitor, indicate and control the functions of a fire alarm installation, thus allowing signals to be distributed around a large site.

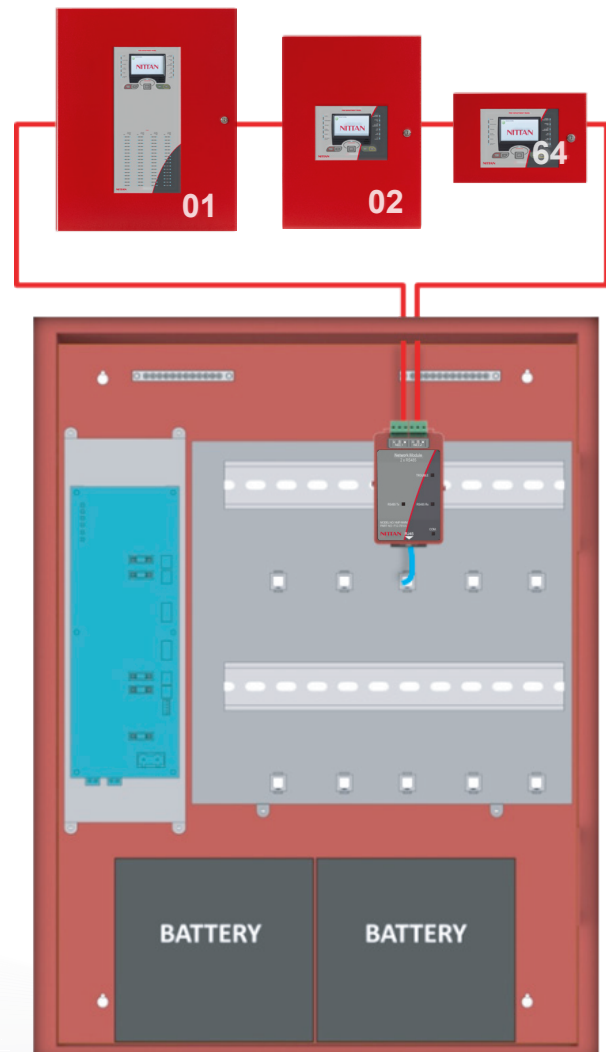
The network will accommodate up to 64 nodes. The network uses the RS485 data communication and a total network cable length of up to 10km is possible. All panels will continue to function in stand-alone mode, even if the Network fails. On an Evolution UL NMP running in a network, all events are reported at all panels and all panels are able to remotely programme other NMP panels sitting on the network.

Operation of outputs over the network is determined by the programmed cause & effects. Any input on the network can be programmed to operate any output.

Key Features

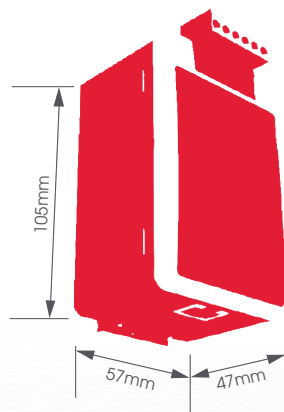
- Designed to meet UL864 10th Edition requirements.
- Comprehensive cross network cause & effects.
- Up to 64 panels may be networked together.
- Remote programming over the network.
- The network can be configured with either a ring or bus topology.
- Fault tolerant design.
- Extensive front unit status indications (See table below).
- Quick and easy to install by plugging the RJ45 cable into the module and control panel (cable supplied with unit).

Interior Panel View



Enclosure

Dimensions
H105mm x W57mm x D47mm
Weight
0.15kg
Terminal Wiring Size
28-12 AWG



NOT TO BE USED FOR INSTALLATION PURPOSES

Nittans reserves the right to make changes at any time without notice in prices, colours, materials, components, equipment, specifications and models and also to discontinue models.

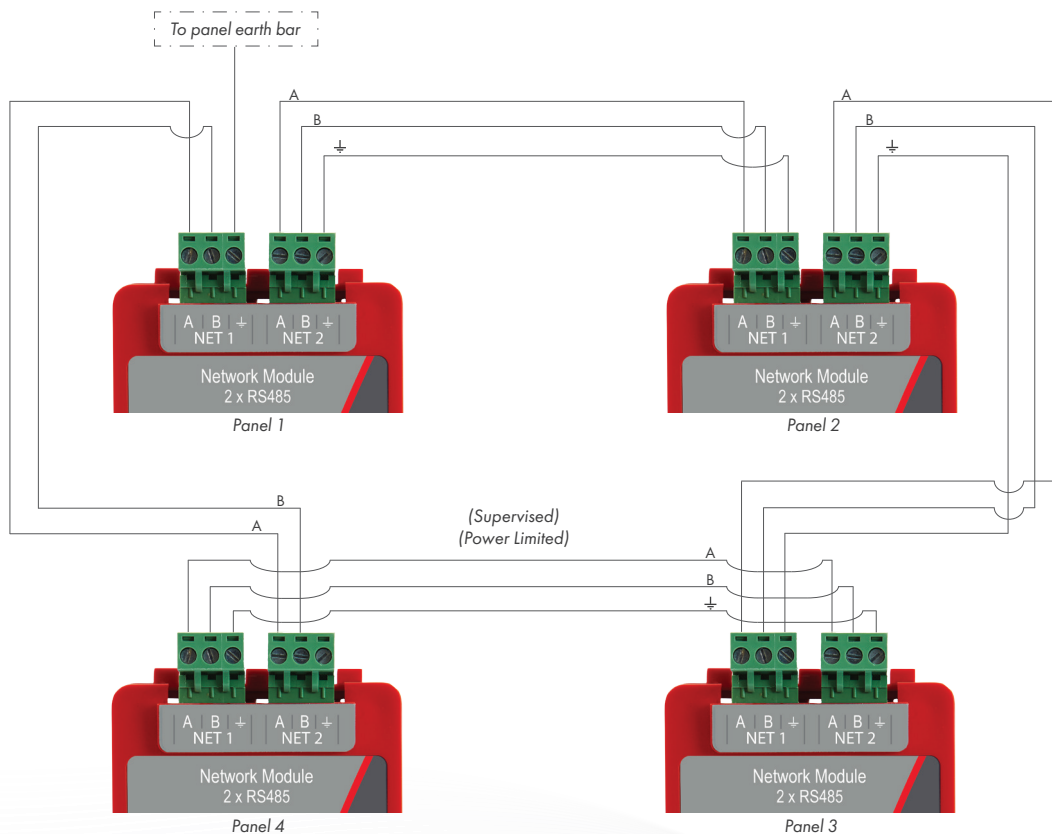
Specification

Part No. / Model No. / Description	F12-75105 / NMP-NWM / Network Module
Standard	UL864 10 th Edition
Approval	UL Laboratories
Communication Protocol	RS485
Maximum Network Size	64 Nodes
Maximum Distance Between Nodes	1Km (using a screened data cable), 100m (using a standard fireproof cable)
Network Wiring Typologies	Bus Ring (recommended)
Operating Temperature	0°C (32°F) to 49°C (120°F)
Max Humidity	95% Non-Condensing

Front Unit Indications

LED Indication	Description
Trouble (Yellow)	Flashing yellow when a fault on the RS485 circuit is detected.
RS485 TX (Red)	Flashing red when the RS485 is transmitting information.
RS485 RX (Red)	Flashing red when the RS485 is receiving information.
Com. (Green)	Pulses green to show communication between the module and the motherboard.

Typical Wiring Diagram



For further information on wiring, please refer to the NMP-NWM Technical Manual.

NOT TO BE USED FOR INSTALLATION PURPOSES