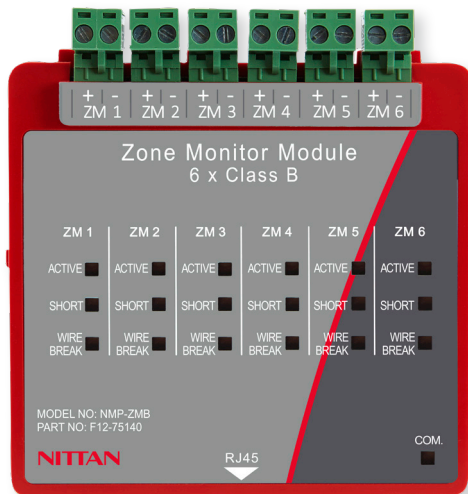


## ZONE MONITOR - CLASS B

### NMP-ZMB



The NMP-ZMB is a six zone monitor module that is designed to be DIN mounted inside of an Evolution UL control panel. It's powered and interfaced to the Evolution UL NMP via a RJ45 connection.

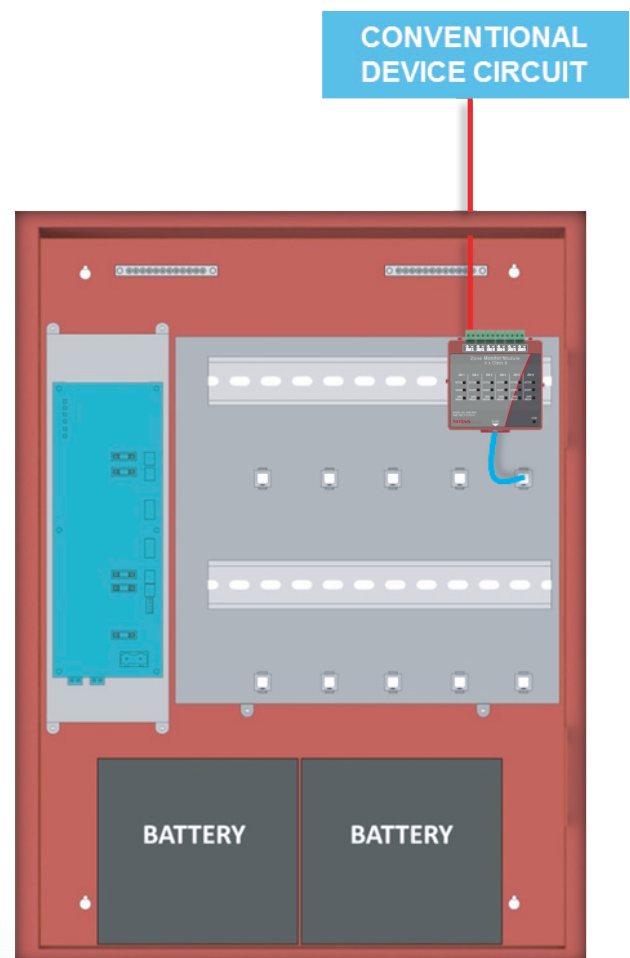
The module has six class B zone monitors which can be typically used for conventional devices and/or for special detectors that are not available in addressable form such as UV detectors, aspiration and beam detectors etc.

The module monitors and transmits the status (normal, open, short, or alarm) of a zone with the detectors to a control panel. Each zone input can be programmed to either give a supervisory or alarm signal when active.

### Key Features

- Designed to meet UL864 10<sup>th</sup> Edition requirements.
- 6 x Class B initiating device circuits.
- Each zone is monitored for open & short circuit.
- Extensive front unit status indications (see page 2).
- Quick and easy to install by plugging the RJ45 cable into the module and control panel (cable supplied with unit).
- Each zone input can be configured as either Alarm or Supervisory.

### Interior Panel View



### Enclosure

#### Dimensions

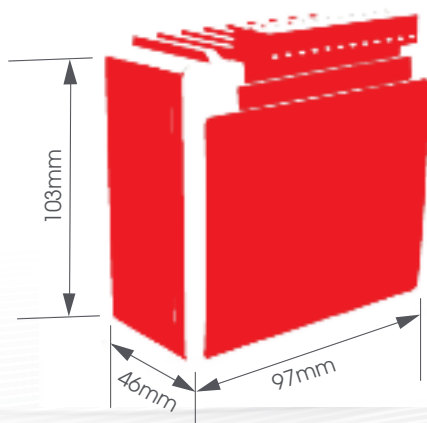
H103mm x W97mm x D46mm

#### Weight

0.2kg

#### Terminal Wiring Size

28-12 AWG



NOT TO BE USED FOR INSTALLATION PURPOSES

Nittans reserves the right to make changes at any time without notice in prices, colours, materials, components, equipment, specifications and models and also to discontinue models.

## Specification

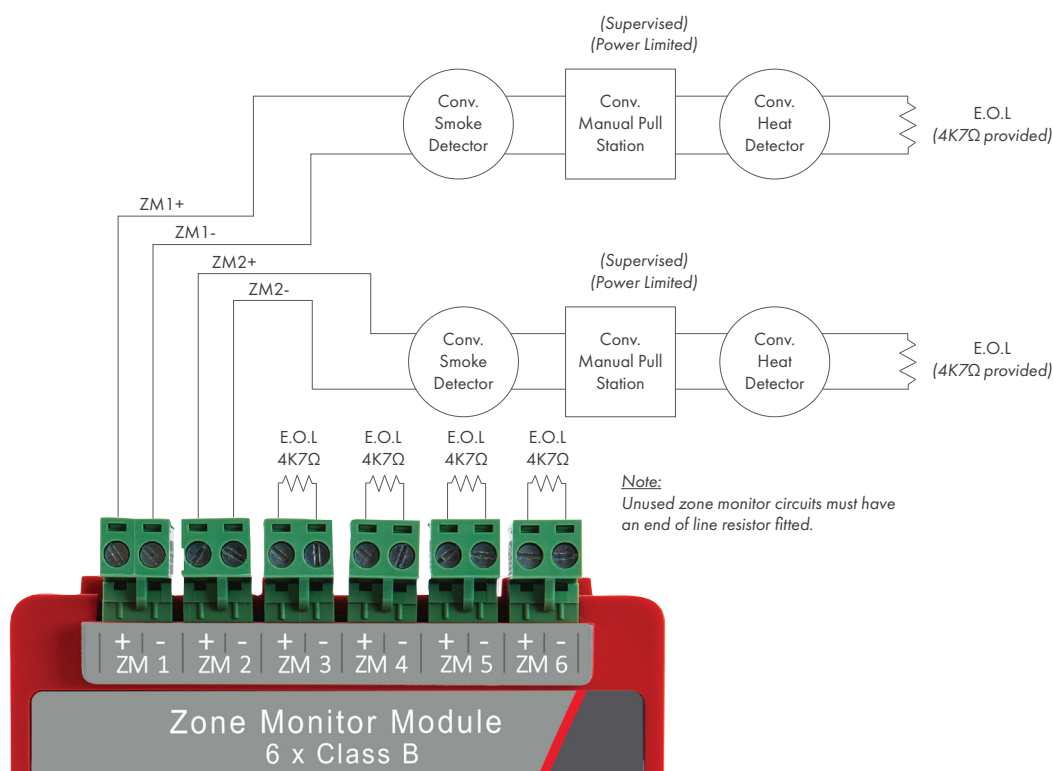
Part No. / Model No. / Description	F12-75140 / NMP-ZMB / Zone Monitor Module Class B
Standard	UL864 10 <sup>th</sup> Edition
Approval	UL Laboratories
Wiring Class	6 x Class B (Power Limited & Supervised)
Zone Max Line Impedance	10Ω
End of Line Resistor	4K7Ω
Alarm Triggering Resistor	1KΩ
Operating Temperature	0°C (32°F) to 49°C (120°F)
Max Humidity	95% Non-Condensing
Compatible Devices	Nittan EVCA-P (UL268 Listed)

## Front Unit Indications

LED Indication	Description
Active (Red)	On steady when an alarm on the zone is active.
Short (Yellow)*	Flashing when a short circuit condition has been detected.
Wire Break (Yellow)*	Flashing when an open circuit condition has been detected.
Com. (Green)	Pulses to show communication between the module and the motherboard.

\* When a NMP-ZMB circuit is disabled, the Short & Wire Break LED's will be on steady (yellow).

## Typical Wiring Diagram (Class B)



For further information on wiring, please refer to the NMP-ZMB Technical Manual.

NOT TO BE USED FOR INSTALLATION PURPOSES

All specifications are subject to change without any notice. For more information, contact with NITTAN.  
**NITTAN** email: sales@nittan.co.uk | tel: +44 (0) 1483 769555 | www.nittan.co.uk  
 Nittan Europe Limited, Hipley Street Old Woking Surrey GU22 9LQ