

NITTAN Instruction Manual

Detector Detachable Mounting Adapter/FZ-007

Thank you for your purchase.
Please be sure to read this instruction manual before use and use the product correctly.
Please keep this instruction manual in a safe place where you can easily refer to it at any time.

Product Overview

This product is an adapter for attaching the detector attachment/detachment device to the auxiliary rod.

Safety Precautions

Caution Display Standards



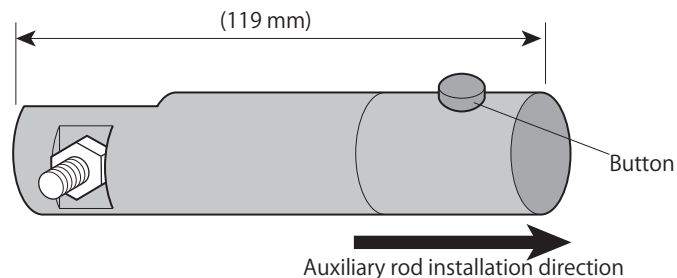
注意

When improper handling may result in minor injury to personnel or damage to property, or when there is a possibility of adverse effects on the equipment.



This is an adapter exclusively for our detector detacher.
Do not use it for other purposes.

Names of Each Part

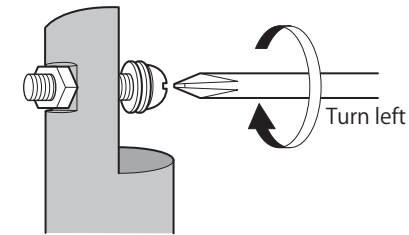


Compatible Devices

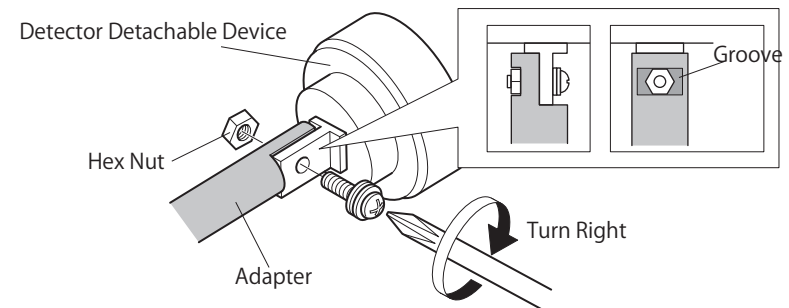
- Compatible detector attachment /detachment device
 - KH-23 (for KH/KN)
 - KK-23 (for 2KK)
 - KW-23 (for 2KW/2KY)
- Compatible Auxiliary Rods
 - Standard Auxiliary Rod: NKT-2 (maximum length: approximately 2.2 m)
 - Long Auxiliary Rod: NKT-4 (maximum length: approximately 4.5 m)
 - Extension Rod: NKT-E (approx. 1.1 m)

Installation Method

1. Remove the screws from the adapter.



2. Secure the detector attachment/detachment device and adapter with the screws.
*Make sure to fit the hex nut correctly into the adapter groove.

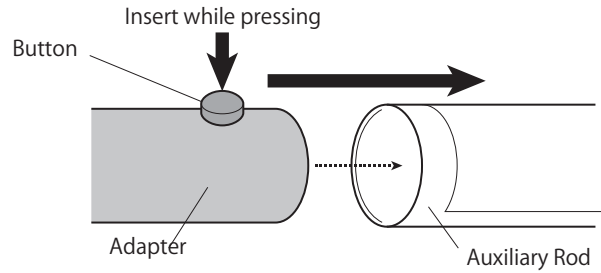


注意

- Attach the screw firmly until it can no longer be turned. If the attachment is loose, the detector attachment/detacher may fall and be damaged or you may be injured.
- Fit the hex nut correctly into the groove in the adapter. If the hex nut is not inserted correctly into the groove, the screw may not tighten properly and the detector attachment/detacher may fall and be damaged or you may be injured.

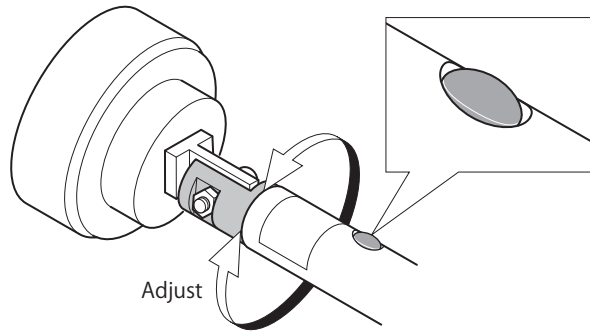
Installation Method

3. While pressing the button on the adapter, insert it into the support rod.



Be sure to attach the adapter to the detector attachment/detachment bracket before inserting it into the auxiliary rod. If the sensor attachment/detachment bracket is not attached, the adapter may get stuck inside the auxiliary rod.

4. Make sure to securely fit the adapter button into the hole in the auxiliary rod. The adapter will be locked in place.

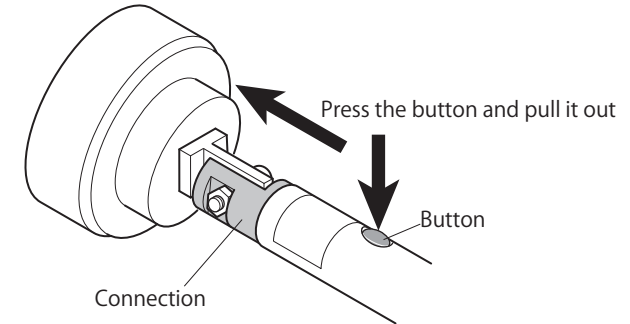


注意

Make sure the adapter is locked. If it is not locked, the detector attachment/detachment device may fall and become damaged or cause injury.

How to Remove

While pressing the button on the adapter, hold the connection between the adapter and the detector attachment/detachment device and pull it out.



注意

○ Always press the button on the adapter while pulling it out.
If you pull it out forcefully, the adapter, detector attachment/detacher or auxiliary rod may be damaged.
○ Hold the connection between the adapter and detector attachment/detacher when pulling it out.
If you pull it out by holding the detector attachment/detacher, it may be damaged.

Contact

Head Office: 1-54-5 Sasazuka, Shibuya-ku, Tokyo 151-8535 Tel: 03 (5333) 8601 (Main)

ニッタン株式会社