



■ Features

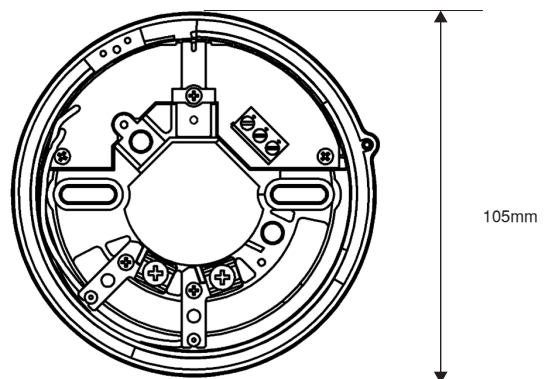
- Low power relay base
- UL Listed base
- Compatible to Nittan's UL Listed detectors
- Contains a locking screw for tamper protection
- Current Consumption 24 μ A (Stanby), 110 μ A (Alarm/Activated)
- Power supply 20VDC to 38VDC supplied by loop

■ Description

EVA-STB-RL is a 4 inch relay base for use with Nittan's UL listed detectors. It incorporates one volt-free relay contact. When a detector is in an alarm condition, the base receives a control signal from the detector and changes status of the relay. The rating of relay contact is 30 VDC@1 A.

EVA-STB-RL can be mounted to 3-1/2" octagonal electrical box, or to 4" square or 4" octagonal electrical box when using STBA-ADP optional mounting adaptor. The base is supplied with 2 terminals for SLC as standard. The 12 – 20 AWG field wire can be connected to the terminals. EVA-STB-RL contains a locking screw to avoid unauthorized removal of detectors.

Dimensions



Compatible Detector Models

Model	Discription
EVA-PY ※	Addressable Photoelectric Smoke Detector
EVA-PY3	
EVA-PYH ※	Addressable Multisensory Detector
EVA-PYH3	
EVA-H2 ※	Addressable Heat Detector
EVA-H3	
EVA-H2-H ※	
EVA-H3-H	
EVA-DPH ※	Addressable Dual Optical / Heat Detector

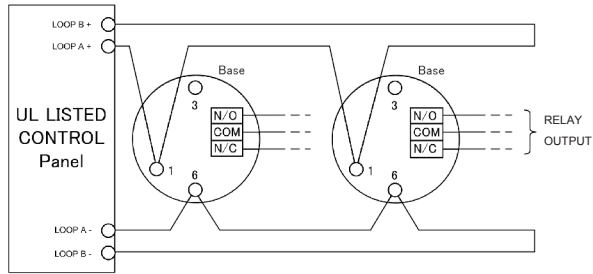
※: Discontinued



■ Installation Diagrams

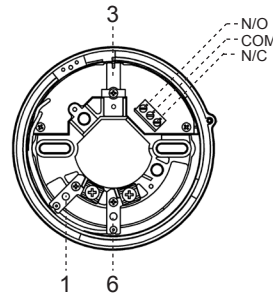
Analog addressable wiring

When connected to analog detectors such as EVA-PY3, EVA-PYH3, EVA-H3, EVA-H3-H, etc.



Terminals

EVA-STB-RL base is supplied with 3 terminals and 1 output relay as follows:



Output Relay

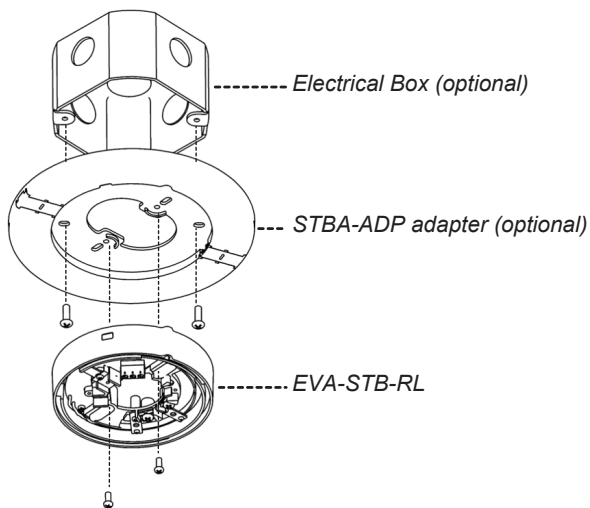
- N/O = Normally Open
- COM = Common
- N/C = Normally Closed

Terminals

- Terminal 1 = SLC+
- Terminal 6 = SLC -
- Terminal 3 = Not Use

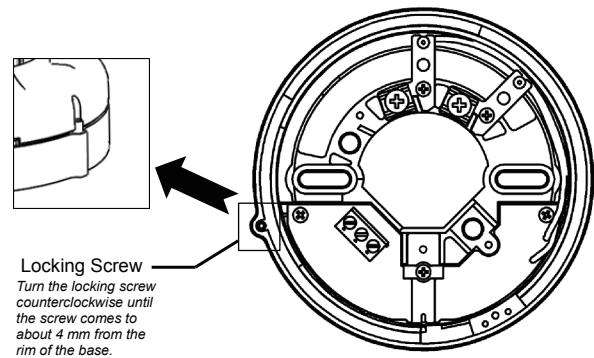
Mounting

EVA-STB-RL can be mounted to 3-1/2" octagonal electrical box, or to 4" square or 4" octagonal electrical box when using STBA-ADP optional mounting adaptor.



Locking Screw

EVA-STB-RL contains a locking screw to avoid unauthorized removal of detectors.



Locking Screw
Turn the locking screw counterclockwise until the screw comes to about 4 mm from the rim of the base.

■ Specifications

Specifications	EVA-STB-RL
SLC Applied Voltage	Rated Range 20 VDC to 38 VDC
SLC Current Consumption	Standby: 24 μ A Alarm/Activated: 110 μ A (max)
Relay Switching Capacity	30 VDC@1 A
Operating Temperature	-10°C to +55°C (14°F to 131°F)
Storage Temperature	-20°C to +60°C (-4°F to 140°F)
Relative Humidity	\leq RH 95 % non-condensing
Environment	Indoor dry use only
Terminal	SLC: AWG12-20 Relay: AWG14-22
Dimensions	ϕ 105 mm x H 22.5 mm
Weight	80 g
Standard	UL268 and UL521

Distributed By

All specifications are subject to change without any notice.
For more information, contact with NITTAN.

NITTAN

Nittan Europe Ltd, Hiple Street
Old Woking, Surrey, GU22 9LQ UK
TEL: +44 1483 769555 FAX: +44 1483 756686

EVA-STB-RL-DAT-03

<http://www.nittan.co.uk>