



### ■ Features

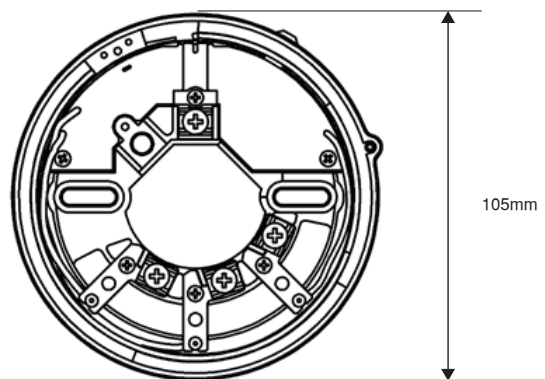
- Short circuit isolator base
- UL Listed base
- Compatible to Nittan's UL Listed detectors
- Supplied with one LED indicator of S/C condition
- Contains a locking screw for tamper protection
- Current Consumption 0.12 mA (Standby), 22 mA (Activated)
- Power supply 20 VDC to 38 VDC supplied by loop

### ■ Description

EVA-STB-SCI is a 4 inch mounting base with short circuit isolator that isolates short-circuit to protect a detector failing. When short circuit is detected, LED indicator illuminates and the short-circuit area is isolated automatically. Upon removal of the short condition, the area is automatically connected to go back to the normal operating status.

EVA-STB-SCI can be mounted to 3-1/2" octagonal electrical box, or to 4" square or 4" octagonal electrical box when using STBA-ADP optional mounting adaptor. The base is supplied with 3 terminals as standard. The 12 – 20 AWG field wire can be connected to the terminals. EVA-STB-SCI contains a locking screw to avoid unauthorized removal of detectors.

### Dimensions



### Compatible Detector Models

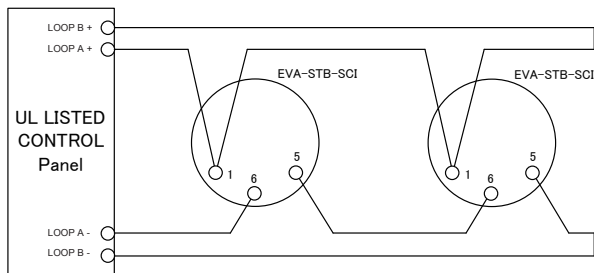
Model	Description
EVA-PY ※	Addressable Photoelectric Smoke Detector
EVA-PY3	
EVA-PYH ※	Addressable Multisensory Detector
EVA-PYH3	
EVA-H2 ※	Addressable Heat Detector
EVA-H3	
EVA-H2-H ※	
EVA-H3-H	
EVA-DPH ※	Addressable Dual Optical / Heat Detector

※: Discontinued

## ■ Installation Diagrams

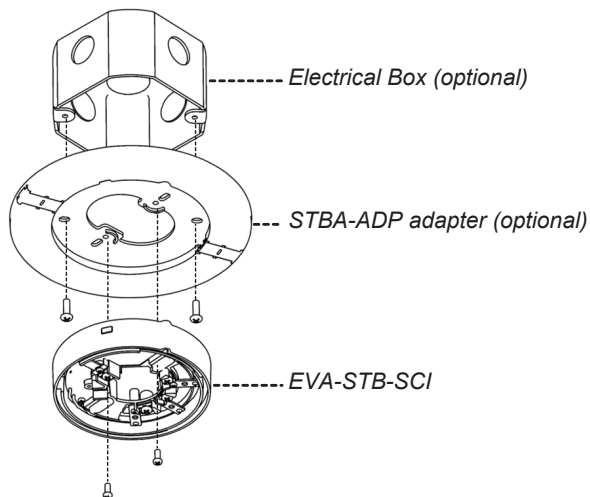
### Analog addressable wiring

Where connected to analog detectors such as EVA-PY3, EVA-PYH3, EVA-H3, EVA-H3-H, etc.



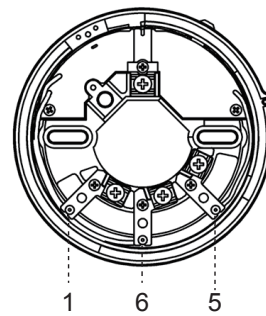
### Mounting

EVA-STB-SCI can be mounted to a 3-1/2" octagonal electrical box, or to a 4" square or a 4" octagonal electrical box when using a STBA-ADP optional mounting adaptor.



### Terminals

EVA-STB-SCI base is supplied with 3 terminals as follows:

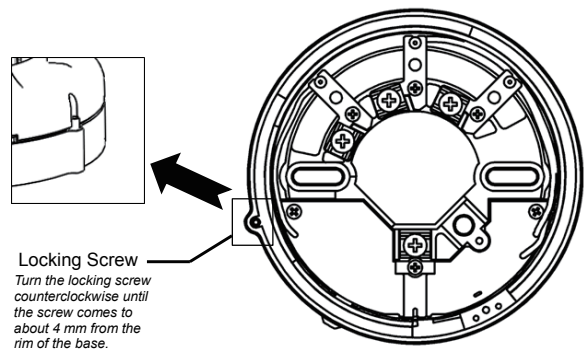


#### Terminals

- Terminal 1 = SLC+
- Terminal 6 = SLC - IN
- Terminal 5 = SLC - OUT

### Locking Screw

EVA-STB-SCI contains a locking screw to avoid unauthorized removal of detectors.



**Locking Screw**  
Turn the locking screw counterclockwise until the screw comes to about 4 mm from the rim of the base.

## ■ Specifications

Specifications	EVA-STB-SCI
SLC Applied Voltage	Rated Range 20 VDC to 38 VDC
SLC Current Consumption	Standby: 100 $\mu$ A    Activated (SCI Isolation): 22mA
SCI On Resistance	0.2 ohms (max)
SCI Fault Detection Voltage	10 V (min)
LED Visual Indicator	Short Circuit - Solid Yellow LED
Operating Temperature	-10 °C to +55 °C (14 °F to 131 °F)
Storage Temperature	-20 °C to +60 °C (-4 °F to 140 °F)
Relative Humidity	$\leq$ RH 95 % non-condensing
Environment	Indoor dry use only
Terminal	AWG12-20
Dimensions	$\phi$ 105 mm x H 22.5 mm
Weight	80 g
Standard	UL268 and UL521

Distributed By

All specifications are subject to change without any notice.  
For more information, contact with NITTAN.

**NITTAN**

Nittan Europe Ltd, Hiple Street  
Old Woking, Surrey, GU22 9LQ UK  
TEL: +44 1483 769555 FAX: +44 1483 756686