



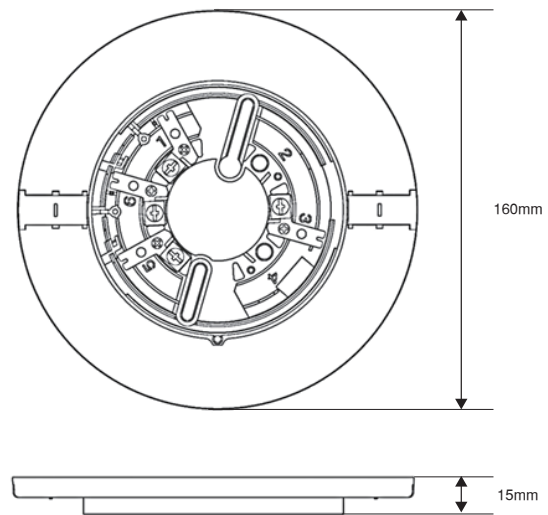
■ Features

- UL Listed Base
- Compatible to Nittan's UL Listed detectors
- Available to cover the mounting holes
- Contains a locking screw for tamper protection
- 4 terminals to be used depending on detectors
- Mounts to 3-1/2" octagonal, 4" octagonal, and 4" square electrical boxes

■ Description

EVA-UB4-6 Standard Base is a 6 inch mounting base for Nittan's UL listed detectors that can be fitted with 4 inch square electrical box. EVA-UB4-6 can be used as a board to cover the holes of electrical boxes. The base contains no electrical circuit so that the base is used as a terminal block. The base is supplied with 4 terminals that are used depending on the detector heads. The 12 – 20 AWG field wire can be connected to the terminals. EVA-UB4-6 contains a locking screw to avoid unauthorized removal of detectors.

■ Dimensions



■ Compatible Detector Models

Model	Discription
EVA-PY ※	Addressable Photoelectric Smoke Detector
EVA-PY3	
EVA-PYH ※	Addressable Multisensory Detector
EVA-PYH3	
EVA-H2 ※	Addressable Heat Detector
EVA-H3	
EVA-H2-H ※	Addressable High-temp. Heat Detector
EVA-H3-H	

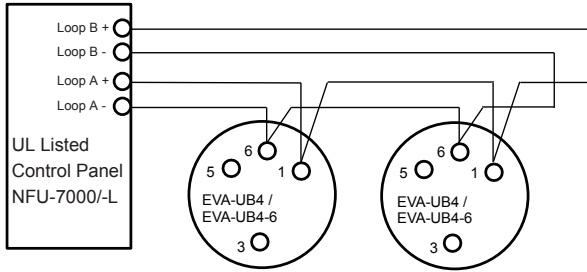
※ : Discontinued



■ Installation Diagrams

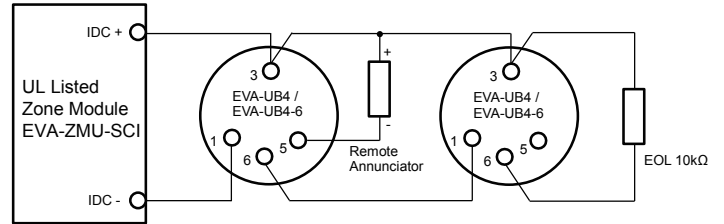
Analog addressable wiring

When connected to analog detectors such as EVA-PY3, EVA-PYH3, EVA-H3, EVA-H3-H, EVCA-PY, etc.



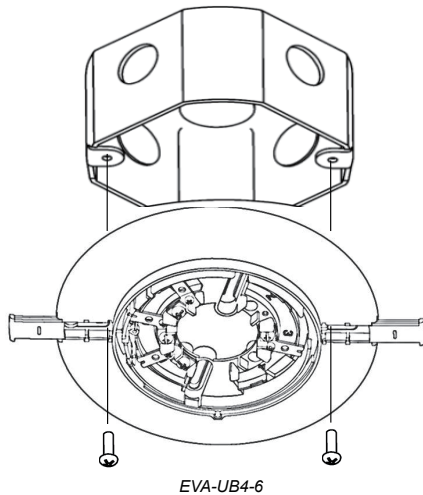
Conventional wiring

When connected to conventional detectors such as EVCA-PY, EVCA-P, EVCA-P-Z.



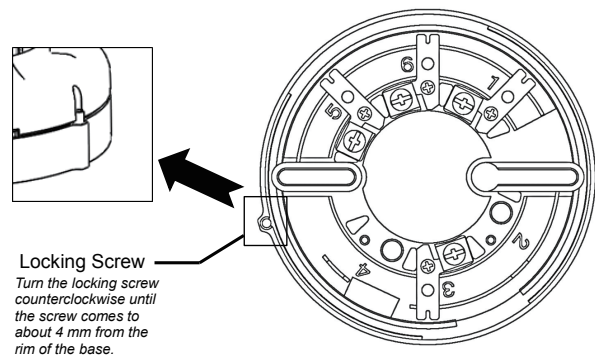
Mounting

EVA-UB4-6 is designed to be mounted to 3-1/2" and 4" octagonal, and 4" square electrical boxes.



Locking Screw

EVA-UB4-6 contains a locking screw to avoid unauthorized removal of detectors.



■ Specifications

Specifications	EVA-UB4-6
UL Ambient Installation Temperature	0 °C to +65.6 °C (32 °F to 150 °F)
Storage Temperature Range	-20°C to +60°C (-4°F to 140°F)
Relative Humidity	≤ RH95%, non-condensing
Environment	Indoor, dry use only
Terminal	AWG12-20
Dimensions	φ 160 mm x H 15 mm
Weight	95 g
Standard	UL268 and UL521

All specifications are subject to change without any notice.
For more information, contact with NITTAN.

NITTAN

Nittan Europe Ltd, Hiple Street
Old Woking, Surrey, GU22 9LQ UK
TEL: +44 1483 769555 FAX: +44 1483 756686

Distributed By