



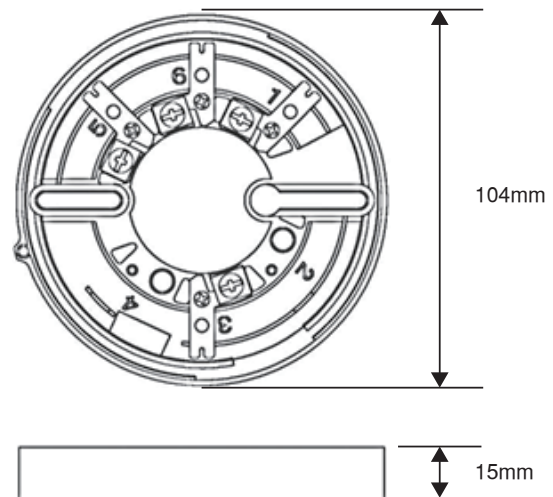
■ Features

- UL Listed Base
- Compatible to Nittan's UL Listed detectors
- Contains a locking screw for tamper protection
- 4 terminals to be used depending on detectors
- Mounts directly to 3-1/2" and 4" octagonal electrical boxes

■ Description

EVA-UB4 Standard Base is a 4 inch mounting base for Nittan's UL listed detectors that can be mounted to 3-1/2 inch and 4 inch octagonal electrical boxes. The base contains no electrical circuit so that the base is used as a terminal block. The base is supplied with 4 terminals that are used depending on the detector heads. The 12 – 22 AWG field wire can be connected to the terminals. EVA-UB4 contains a locking screw to avoid unauthorized removal of detectors.

Dimensions



Compatible Detector Models

Model	Discription
EVA-PY ※	Addressable Photoelectric Smoke Detector
EVA-PY3	
EVA-PYH ※	Addressable Multisensory Detector
EVA-PYH3	
EVA-H2 ※	Addressable Heat Detector
EVA-H3	
EVA-H2-H ※	Addressable High-temp. Heat Detector
EVA-H3-H	
EVA-DPH ※	Addressable Dual Optical / Heat Detector
EVCA-P ※	Conventional Photoelectric Smoke Detector
EVCA-P-Z ※	
STA-P-OM ※	
EVCA-PY	

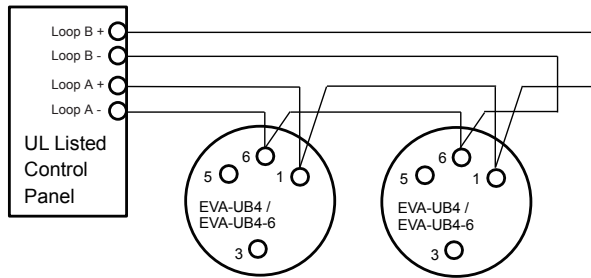
※ : Discontinued



■ Installation Diagrams

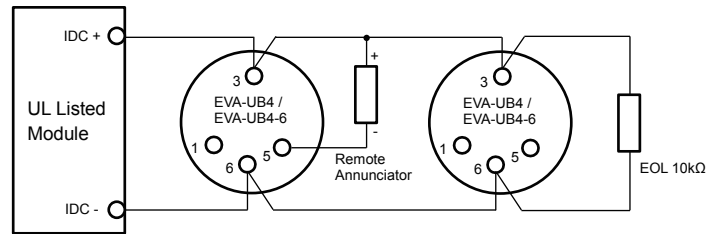
Analog addressable wiring

When connected to analog detectors such as EVA-PY3, EVA-PYH3, EVA-H3, EVA-H3-H, etc.



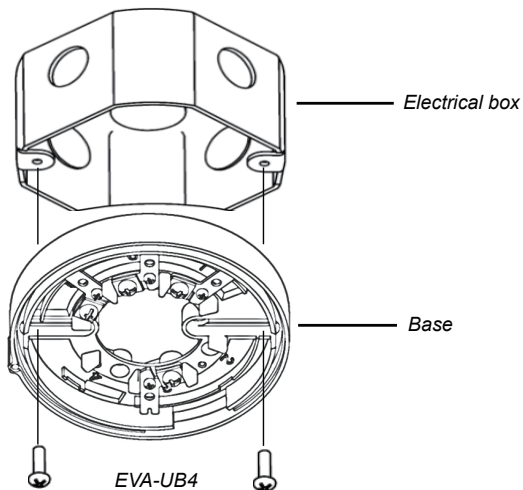
Conventional wiring

When connected to conventional detectors such as EVCA-PY, EVCA-P, EVCA-P-Z.



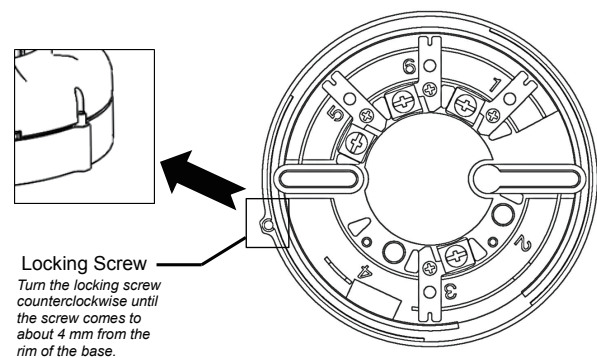
Mounting

EVA-UB4 is designed to be mounted to 3-1/2" and 4" octagonal electrical boxes.



Locking Screw

EVA-UB4 contains a locking screw to avoid unauthorized removal of detectors.



■ Specifications

Specifications	EVA-UB4
Operating Temperature	-10 °C to +83 °C (14 °F to 181.4 °F)
Storage Temperature	-20 °C to +60 °C (-4 °F to 140 °F)
Relative Humidity	≤ RH 95 % non-condensing
Environment	Indoor, dry use only
Terminal	AWG12-22
Dimensions	φ 104 mm x H 15 mm
Weight	65 g
Standard	UL268 and UL521

Distributed By

All specifications are subject to change without any notice.
For more information, contact with NITTAN.

NITTAN

Nittan Europe Ltd, Hiple Street
Old Woking, Surrey, GU22 9LQ UK
TEL: +44 1483 769555 FAX: +44 1483 756686